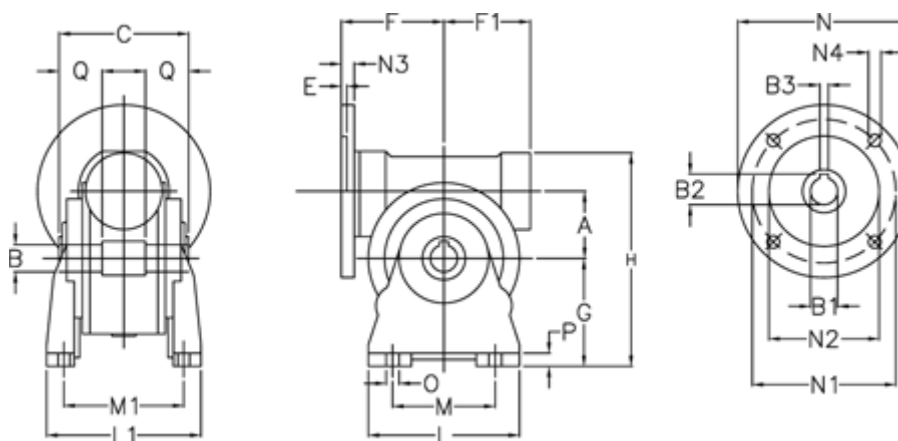


Article number: 3918044020227

Description: Worm gear with st. steel hollow shaft  
VF 44 EP-A-20- 71B5

## Measures



a	= 44.6	F1	= 54	N1	= 130
B	= 18	g	= 72	N2	= 110
B1 E7	= 14	H	= 143	N3	= 10.5
B2	= 16.3	L	= 90	N4	= 9.5
B3 H9	= 5	L1	= 98.0	O	= 8.5
C	= 64	m	= 52	P	= 10
E	= 2.0	M1	= 81.0	Q	= 24.5
F	= 65	N	= 160		